

www.alfer.com

alfer[®]
aluminium

Tile edgings



Overview

alfer [®] tile edgings	3
Tile colour-coding system	4
Good reasons to choose alfer [®] tile edgings	5
Laying tiles made easy	6
The right profile height for you	7
Processing	7
Edging profiles and accessories	8
Step edging profiles	12
LED Profiles	13
Step system profiles	14
Joint cover and expansion joint profiles	18
Wet sealing profiles and accessories	20
clipstech [®] system profiles	21
Mats and accessories	22
Notes – technical diagrams	23
alfer [®] hardware range	24
alfer [®] building material range	25
alfer [®] storage system range	26



Dear customers,

Ceramic tiles have long-since been the optimum solution for wet-rooms. Thanks to their practical benefits, however, their use in other areas of the home is also becoming more and more common. Ceramic tiles are hygienic, dirt-repellent and easy to clean. In short: the perfect floor covering that looks great both indoors and out.

The outstanding practical properties are also joined by aesthetic factors. The right tile look can therefore be found for every style and taste. Whether you are laying your tiles yourself or would rather have a professional do it for you, make sure you pay particular attention to the edge and transition areas. After all, a ceramic floor only offers long-term enjoyment if the entire thing has been skilfully laid, right up to the outer edges.

Whether inconspicuous edge guards or design accents, angle, quarter circle, square, step, joint cover or expansion joint profiles: **alfer**® offers the optimum tile edgings for all laying situations.

Tile colour-coding system

Angle profiles



Quarter circle profiles



Square edging profiles



Step edging profiles



Joint cover profiles



Expansion joint profiles

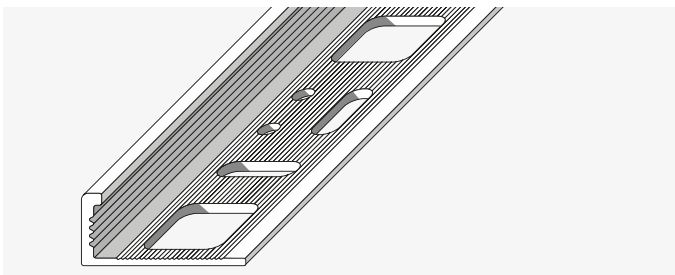


For your guidance

To help you find the right products for your project when you visit the DIY store, we have developed a clear colour-coding system for our tile edgings range.

Good reasons to choose **alfer**® tile edgings

- Optimum practical suitability thanks to close cooperation with professional tilers
- The sophisticated profile technology ensures high stability and torsional stiffness
- Impressive technological advantage offered by the world's only **alfer**®-fix universal hole pattern compared to conventional profile perforations



- Largest possible perforations to allow adhesive or mortar to penetrate more easily – for an optimum contact area between the tiles and the substrate
- Small round and slotted perforations for nails and screws (e.g. for pre-fixing the profile to a wall area)
- The deep grooves along the edge piece ensure that the grout grips perfectly across the entire edge height
- The fine grooves on the fixing piece decisively improve the adhesion of the adhesive or mortar
- The latest production processes ensure outstanding professional quality at a low price
- The simple laying process saves time and money

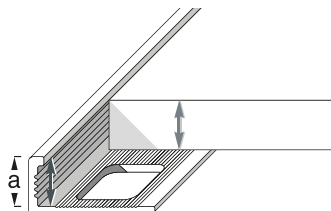
Laying tiles made easy



1. When selecting an appropriate profile, make sure that the profile height is slightly greater than the tile thickness. (The tile and profile heights can be precisely aligned by applying an appropriate thickness of tile adhesive.)
2. Apply the tile adhesive up to the desired edge.
3. Press the tile edging firmly into the adhesive and align it. (Note the manufacturer instructions on the tile adhesive!)
4. Now lay the tiles making sure that you factor in a suitable joint distance to the profile. (Caution: immediately remove any residual adhesive from the profile surface to prevent damage.)
5. If a solid joint has been created between the tile, the edging and the substrate once the tile adhesive has solidified, you can start the pointing process.

The right profile height for you

Tile thickness	Profile height (Dim. a)
3.0–4.5mm	4.5mm
5.0–6.0mm	6.0mm
7.0–8.0mm	8.0mm
9.0–10.0mm	10.0mm
11.0–12.0mm	12.5mm
13.0–15.0mm	15.0mm



Processing

The following points must be observed in order to prevent damage on the profiles surfaces:

- The processing instructions of the tile adhesive must always be observed.
- Any excess of grout, mortar and tile adhesive on the profile surface should be removed immediately with water.
- Allow to dry out thoroughly, ensuring the area is well ventilated.
- The protective film or similar, used for the installation, can only be removed after the paving has dried completely.

Edging profiles and accessories



Angle profiles with alfer®-fix universal hole pattern

Angle profiles are an effective way of preventing damage to tile edges. Unglazed tile edges, for example on cheap tiles, or cut edges should be protected against mechanical loads. Of course, tile edgings also visually enhance such edges.

Furthermore, using tile edgings also makes it easier to lay tiles. They enable the tiles to be positioned in a straight line and edged as well as to be connected to other floor coverings, rendered surfaces, carpets, individually designed floor mats, and much more.

Pliable angle profile

The pliable angle profiles have special rivets that make them easy to bend even without a bending machine. The elongated shape of the perforations can not only be optimally penetrated by the adhesive but also used to nail or screw the profile into place.



Quarter circle profiles with **alfer**[®]-fix universal hole pattern

The tile quarter circle profile is suitable for tile coverings as an external wall corner and effectively protects tile edges. The profile's symmetry also gives it greater visual impact. The closed design makes the profile stable and easy to grout.

To use the quarter circle profile on an external wall corner, first finish tiling one wall and then apply adhesive to the corner area of the second wall. Next, press the profile into the adhesive bed and align it. You can now apply the adhesive to the entire surface and press the remaining tiles into place and align them.

Quarter circle external and internal corners for tiles



The aluminium, plastic or stainless steel quarter circle external and internal corners for tiles make it possible to create a clean, attractive and homogeneous external and internal corner with two or three quarter circle profiles that butt at right angles. The profiles do not need to be mitred.

Edging profiles and accessories



Square profiles with alfer®-fix universal hole pattern

The square profile can be used as a decorative external wall corner for tile coverings and effectively protects the tile edges. An eye-catching effect can also be created by using the profile as a border, for example. The closed design also makes it possible to lay the profile on the floor.

To use the square profile on an external wall corner, first finish tiling one wall and then apply adhesive to the corner area of the second wall. Next, press the profile into the adhesive bed and align it. You can now apply the adhesive to the entire surface and press the remaining tiles into place and align them.



Square tile corner

The square corners in matching colours make it possible to create a clean and attractive external or internal corner with two or three square profiles meeting at right angles.

Step edging profiles



'Simple' and 'Florentine' step edging profiles

Step coverings and their edges are subject to greater physical stress than other floor areas. The step edges have to be effectively protected. They must also be designed to be as non-slip as possible.

The 'simple' and 'Florentine' step edging profiles have non-slip contours, enabling you to create a safe and decorative step edge. The closed design makes the step edging profiles stable and easier to grout.

Start by laying the covering for the top riser so that the upper edges are flush. Next, simply press the step edging profile into the mortar bed or tile adhesive. If the step is subjected to extremely heavy use, you can additionally screw the profile on using the specially designated holes.

LED profiles



LED profiles with **alfer**[®]-fix universal hole pattern

Bring light into the dark!. The new **alfer**[®] LED tile profiles not only create the right spatial effect, they illuminate trip hazards and stairs.

Our four sections LED profiles with their matching corners and end caps, combine design with sophisticated functionality for every application in the interior design.

The LED profiles are installed like classic tile profiles when laying the tiles in the covering. Cables and power supply are hidden under plaster or drywall.

- Four profile types: quarter circle profiles, square profiles, step profiles and listelli profiles.
- Matching corners and end caps.
- Made of durable aluminum and easy to clean

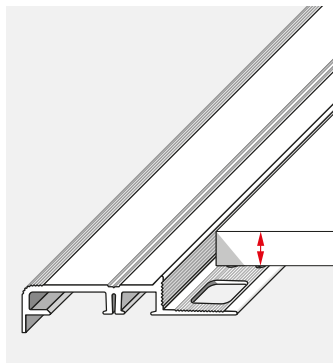
Note: The LED technology is not included in the **alfer**[®] LED profiles and accessories range, it must be purchased separately. More information can be found here: www.alfer.com

Tile edging system for steps



Combination and standard step edging profiles

1. Combine the combination step edging profile with the desired safety insert. The combination step edging profile is mounted on the tiled edging system profile using appropriate screws. Once the safety insert has been attached, the screws are no longer visible. (Please note that safety insert is made of flexible soft plastic. Do not stretch the insert before cutting. This prevents the insert from potentially being too short once it has retracted back to its normal size.)
2. The areas where you tread on the standard step edging profiles have coarse safety ridges and are factory fitted with a special adhesive strip. This has already been extensively tried and tested and can withstand even extreme conditions. For example, it is resistant to temperatures from -20°C to $+60^{\circ}\text{C}$, offers closely checked elasticity and maximum bonding stability and provides optimum safety and comfort underfoot. During installation, ensure that the surface of the system support profile is clean and free of grease. Pull the protective foil off the adhesive strip and bond the standard step edging profile precisely onto the system support profile. Retroactive correction is not possible! If you want to change the standard step edging profile at a later date, start undoing it at one end of the profile or the riser. Press the support profile down so that it cannot come out of the adhesive bed.



System support profile with alfer®-fix universal hole pattern

Support profiles are required to fasten on combination or standard step edging profiles. Step coverings are subject to greater physical stress than other floor areas. Our engineers have taken great care to develop a profile system that meets these high demands. The range consists of system support profiles for different covering heights, plus the combination and standard step edging profiles, which you can combine however you want according to your preferences. Once fully installed, the system support profile is no longer visible.

The colour coding used for the system support profiles makes it possible to differentiate between the covering heights quickly and easily.

Tile thickness	Profile colour
6.0–8.0mm	White
9.0–11.0mm	Grey

Installing system support profiles with an **alfer**[®]-fix universal hole pattern

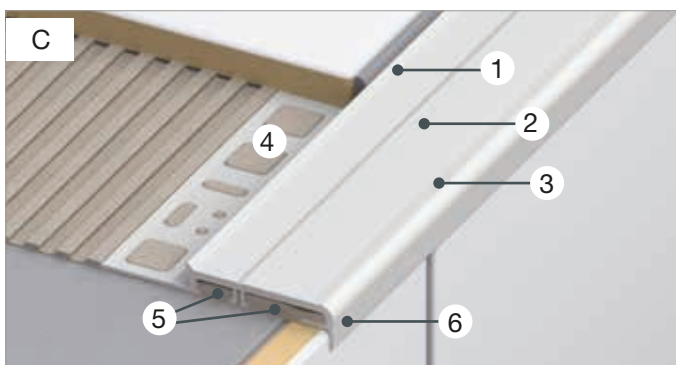
alfer[®] system support profiles are made from plastic, highly robust and offer optimum structural stability compared to other materials. We recommend the following installation steps:

- A. Lay the covering for the top riser so that the upper edges are flush. Select the system support profile on the basis of the floor covering thickness (see page 15).
- B. Apply the tile adhesive to the tread area and fill the bottom chambers on the system support profile with adhesive. Press the support profile firmly into the adhesive bed. The profile nose is used to position the profile along the top edge of the riser and is no longer visible once installation is complete.
- C. When laying the riser, ensure that the surface of the tiles is about level with the decor profile selected. To do this, lay the decor profile loosely on the support profile. Remove any excess adhesive. Once the adhesive has set, the tiles can be grouted.

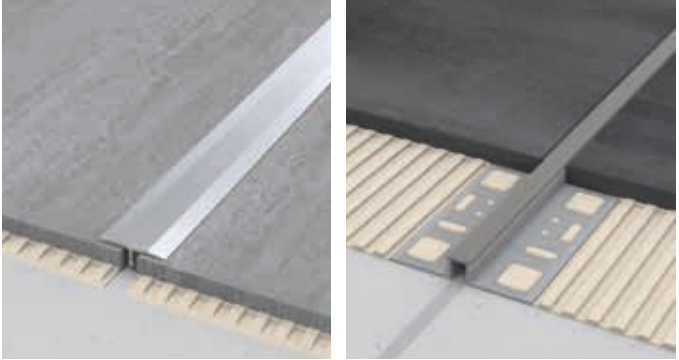
System support profiles – sophisticated design down to the finest details

1. Profile edge for easier grouting
2. Easy-to-clean surface
3. Non-slip front edge
4. The **alfer**[®]-fix universal hole pattern – ideal for use with adhesive, mortar, nails or screws
5. Multiple chambers for a solid bond with adhesive or mortar
6. Profile nose for optimum positioning on the riser

Installing the system support profiles



Joint cover and expansion joint profiles



Joint cover profiles

Even tile coverings that appear to be rigid are subject to expansion forces. Although imperceptible to the human eye, these can cause serious damage, which is manifested in cracked joints or even broken tiles. The tiled covering loses its surface quality, water can uncontrollably penetrate and secondary damage can occur.

The joint covering profile is a T-shaped cover strip positioned between two adjacent floors by being pressed into the joint that has been freshly filled with silicone.

Expansion joint profiles

Expansion joints in tile coverings are thus necessary whenever you tile on different substrates, for example in wall corners, or if the substrate already has expansion joints or the tile coverings are subjected to high levels of tension. This is the case with underfloor heating (max. span length 8 m*), hallways (with a length of more than three times the width*), walls (vertical expansion joints every 3 m*) and patio flooring (every 2.5 m*).

Our expansion joint profiles are made of a high-quality soft plastic in the joint area, which absorbs any tension. On the underside of the expansion joint profile is an adhesive strip that prevents the penetration of mortar while the profile is laid. The profile can thus be fixed in place on the floor quickly and easily. During the laying process, ensure that the profile is not higher than the tile covering.



This property means that the expansion joint profile has yet another benefit or an additional possibility for use: once the adhesive strip has been carefully removed, the profile can be bent around the soft plastic (shown here in white) and used in corner areas.

Expansion joint profiles for thick beds

The expansion joint profile can be laid in mortar. During renovations, the profile can be inserted into the retrospectively drawn expansion joint. The resultant gaps are then filled with grout.

Edge joint cover profiles and accessories

The edge joint cover profiles can quickly and easily cover ragged edge joints. The joint cover profiles can, however, also be simply used as decorative bars on other edge joints. The profile is simply pressed into the joint that has been freshly filled with silicon. The plastic edge joint cover accessories can be used to create a visually appealing interior corner, exterior corner or edge without mitring.

* Standard guidance values

Wet sealing profiles and accessories

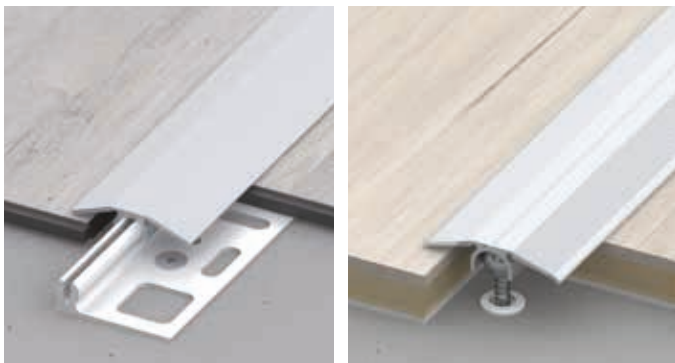


Corners in wet areas are among the most critical zones. The penetration of water must be prevented. This is often done by grouting with silicone. However, working with silicone is difficult and it often only acts as a seal but do not make an attractive joint. The self-adhesive wet sealing profiles and joint cover profiles offer added protection and are aesthetically pleasing and easy to install. The wet sealing profiles are made of durable plastic with flexible sealing lips. The special adhesive strip is simply attached to the wet sealing profile or the joint cover profile, which must then be stuck to a clean, dry surface free from grease.

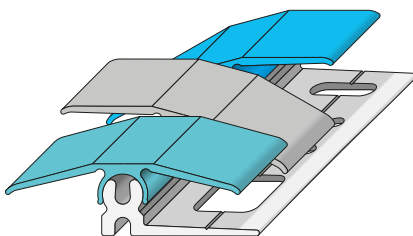
Adhesive strip for wet sealing profiles

The adhesive strip permanently bonds the wet sealing profile in the corners.

clipstech® system profiles



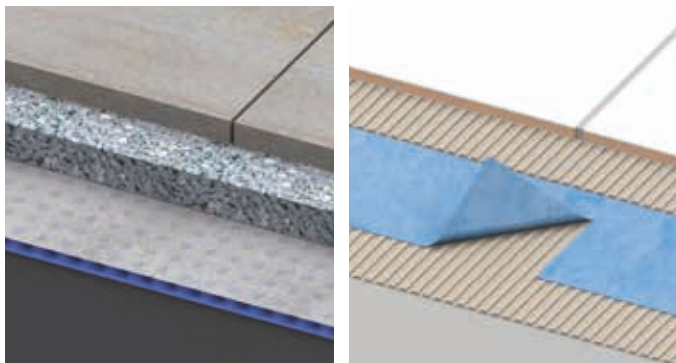
With its **clipstech®** system profiles, **alfer®** offers the ideal solution for even complex installation situations. The innovative profile system consists of plastic support profiles of varying heights and decorative aluminium profiles. It is suitable for all transitions, joints and ends on tiles and other coverings. Thanks to the sophisticated, clip-on joint connection and the refined rocking mechanism, the **clipstech®** system profiles can even be used to elegantly bridge level differences of up to 21 mm.



Further information on the **clipstech®** system profiles can be found in our product folder (item no. 97392).



Mats and accessories



Tile coverings are only waterproof to a certain extent. Moisture can penetrate into the substrate through joints or loose and cracked tiles, leading to efflorescence and moisture damage to the building fabric.

On balconies, thermal influences such as frost and heat can cause damage such as cracks in the substrate and spalling. A seal is therefore essential.

A cracked and loose tile covering can also be the result of substrate creepage and shrinkage or a critical substrate such as cracked screed or wood.

Existing cracks in the substrate can lead to problems during the laying process. Isolating the tile covering from the substrate can counteract these.

Further information on the mats can be found in our product folder (item no. 97382).



Notes – technical diagrams

Dimensions

The dimensions indicated in this brochure are approximate values and may deviate slightly in either direction.

Product versions

We reserve the right to make modifications in the interest of technical progress and product improvement.

Warranty

As this is an abridged brochure, no liability can be accepted for either individual cases or the reproduction of the models shown.

Colours

The colours depicted may vary slightly from the original products.

Important notice

The following trademarks (®) are registered to **alfer**® aluminium Gesellschaft mbH, D-79793 Wutöschingen :

alfer ®	(EU) (CH) (CAN) (GB)
alferpro ®	(EU)
aluvally ®	(EU)
clipstech ®	(EU) (MEX)
coaxis ®	(EU) (MEX)
combitech ®	(EU) (CH) (MEX)
ferroplatan ®	(EU)
logika ®	(EU)
verando ®	(EU) (CH)
x-star ®	(EU)

The use of these trademarks is permitted only with the expressed permission of **alfer**® aluminium Gesellschaft mbH, D-79793 Wutöschingen.

alfer® hardware range



combitech® system · basis

System profiles · metric threaded rods and threaded tubes · system accessories · tool range

combitech® system · connect 23.5 mm

Connect connectors 23.5 mm · system profiles 23.5 mm · system accessories

combitech® system · model construction

Connect connectors 7.5mm · System profiles 7.5 mm · system accessories

logika® profiles · metric threaded rods · expanded metal, smooth, embossed and perforated sheets

combitech® system · sheets, plates and accessories

Plastic panels · smooth, embossed, perforated and expanded sheets · Primatech · Multitube · checker plate profiles · accessories

Profiles for DIY and professional purposes

Standard profiles made from aluminium, brass, plastic, steel, stainless steel
clampline clamping aluminium profiles

Steel profiles



alfer® building material range



Tile edgings

Angle, round, quarter-circle and square tile edgings · tile edgings for steps
LED profiles · joint cover profiles and expansion joint profiles · wet sealing
profiles **clipstech**® system profiles · balcony angle · mats and accessories

Floor and room profiles

Cover and joint cover profiles · edging, level balancing, angle edging and
end profiles · step edging profiles · Edge protecting profiles · Baseboard and
buckling angles

Profiles for parquet, laminate and designer floors

clipstech®, **clipstech**®-vario, **clipstech**®-plus, **clipstech**®-mini, optifloor
and renovation System profiles and accessories · cover, level balancing,
wall edging and edging profiles · Edge profiles, drilled

verando® Decking boards

verando® combines sophisticated design and sustainability.

The weatherproof profiles, mainly made of rice husks, are more durable than
other wood or wood substitute products, they don't splint, crack or swell.



alfer® classification system range



combitech® system · logika®

The logically perforated profile range: **logika®** profiles and **logika®** accessories

combitech® system · coaxis®

The coaxial system profiles: system profiles, accessories and tools · wall and ceiling hooks

Storage range

System rails and accessories · profile hooks, clothes hooks and utensils supports · bicycle stands · shelving brackets · Furniture construction profiles and plant trolley



alfer[®]
aluminium

www.alfer.com



alfer[®] aluminium
Gesellschaft mbH
79793 Wutöschingen
Germany
info.eng@alfer.com

GB

71708 · 1220

4 001116 973727