

**combitech® dog box**

**Shopping list**

**Pre-cut parts list**

combitech® profiles					
Product name	Dimension	Item no.	Total quantity	Quantity	Pre-cut part
aa	round tube, untreated aluminium	25024	17.5 m	5	396 mm
ab				19	543 mm
ac				4	99 mm
ad				2	191 mm
ae				2	520 mm
af				2	355 mm
ag				2	166 mm
ah				4	570 mm
ba	square tube, untreated aluminium	25170	5.5 m	2	400 mm
bb				2	500 mm
bc				2	352 mm
bd				2	294 mm
be				2	570 mm
bf				2	575 mm
c	square U, untreated aluminium	25412	2 m	2	580 mm
d	flat bar, untreated aluminium	25810	1 m	2	400 mm
e	square tube, untreated aluminium	25890	2 m	2	770 mm
fa	round bar, untreated aluminium	25082	2 m	1	305 mm
fb				2	330 mm
fc				2	396 mm
ga	tube, 1 short side piece, untreated aluminium	M 8	26064	1 m	45 mm
gb	thread rod, galvanized steel, DIN 976-1	M 8	30004	1 m	175 mm
h				1	280 mm

combitech® small parts					
Product name	Dimension	Item no.	Total quantity	Quantity	Pre-cut part
i	tube, 1 short side piece, finished aluminium	M 8	26044	1 bag	2
j	double tube, finished aluminium	M 8	26364	2 bags	4
k	junction plate, aluminium	110 mm	29797	10 bags	20
l	adjusting foot, PVC, black	M 8	30354	1 bag	1
m	compression spring normal, steel	M 8	29864	1 bag	1
n	lamellar plugs square, PE black	23.5 mm	29830	2 bags	4
o	hexagonal nut, self-tapping galvanized steel	M 8	30104	1 bag	1
p	washer, galvanized steel, DIN 125	M 8	30274	1 bag	3
q	blind rivets	5 x 10 mm			121
r	plywood board, 10mm thick			1	707 x 352 mm

**Notes**

**Important advice!**

**Assembly instructions**

All parts must be original **alfer** parts. Damaged parts should not be used. Basic technical knowledge is required for assembly. In case of technical difficulties, advice can in some circumstances be sought from staff at the hardware store or possibly from **alfer** itself. If difficulties arise during assembly, an enquiry should always be put to **alfer** before changing components. Do not deviate from the assembly instructions. Changes to materials or deviations from the assembly instructions can cause safety defects, which in case of damage may well be attributed to such a deviation. In case of damage arising from such deviations, **alfer** accepts no liability.

**Instructions for use**

The permitted loading capacity must not be exceeded. Inappropriate use will result in the right to compensation being excluded.

Wutöschingen June 2002

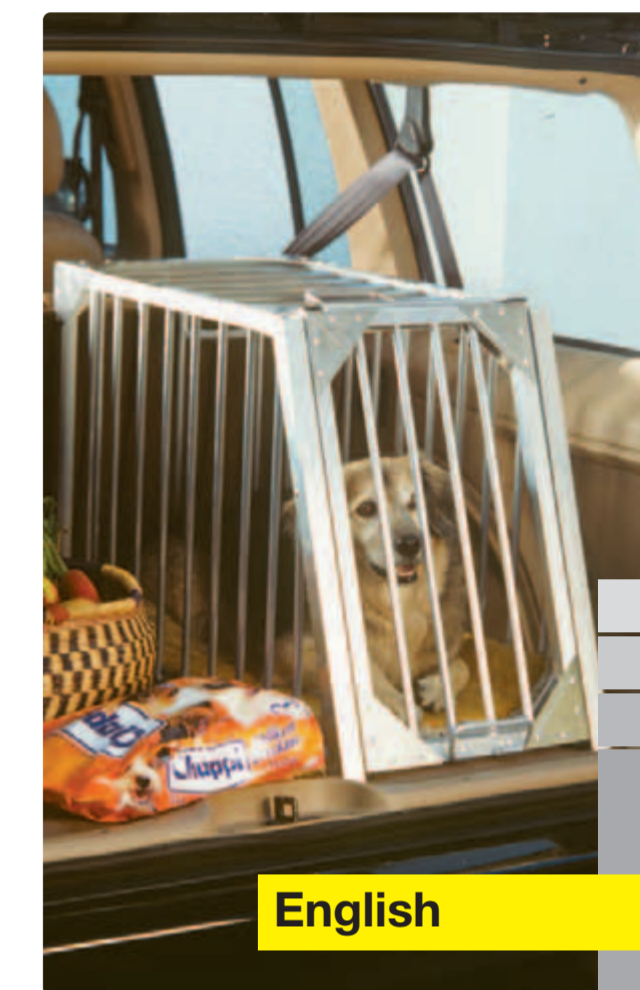
**alfer** aluminium Gesellschaft mbH  
 Horheim, Industriestraße 7 · D-79793 Wutöschingen  
 tel.: +49 (0) 77 46 / 92 01-0 · fax: 92 01-92  
 email: info.eng@alfer.com

You can find more ideas on the Internet!

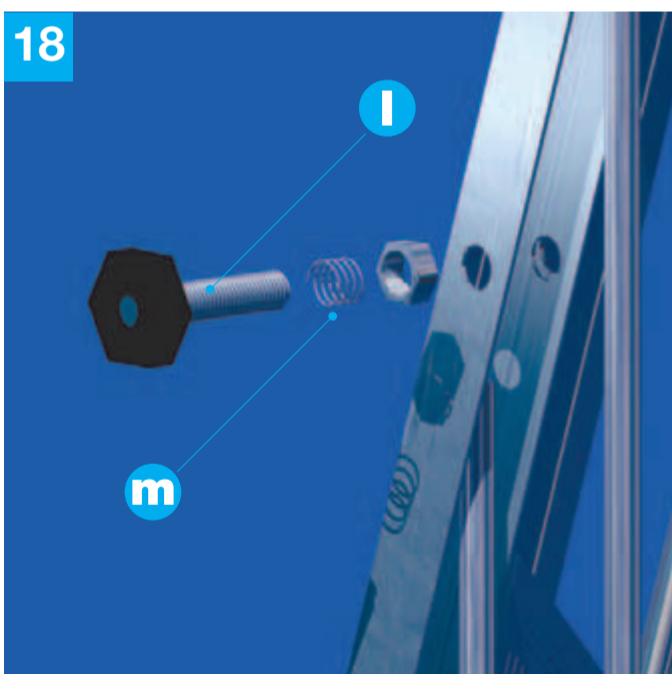
[www.alfer.com](http://www.alfer.com)

**alfer®**

**combitech® construction plan dog box**



English



**Important advice!**

**Technical data:**

The **combitech**® dog box is suitable for small to medium-sized dogs. It should be secured by an appropriate means of support in vehicles.

**combitech® dog box dimensions:**  
 length 75.0 cm  
 width 40.0 cm  
 height 55.0 cm

All dimensions are reference values. Subject to technical changes.

	xxxx very demanding		5-6 hrs
	xxx demanding		
	xx simple		
	x easy		




[www.alfer.com](http://www.alfer.com)

You can find more ideas on the Internet!

email: info.eng@alfer.com  
 tel.: +49 (0) 77 46 / 92 01-0 · fax: 92 01-92  
**alfer** aluminium Gesellschaft mbH  
 Horheim, Industriestraße 7 · D-79793 Wutöschingen



Your dealer:

024 21708 1109

