



combitech® pull-out trestle

Shopping list Pre-cut parts list

combitech® profiles					
Product name	Dimension	Item no.	Total quantity	Quantity	Pre-cut part
ⓐ square tube, untreated aluminium	35.5 x 2.4 mm	25174	1 m	2	495 mm
ⓑ square tube, untreated aluminium	29.5 x 2.4 mm	25172	1 m	2	495 mm
ⓒ right-angle tube, untreated aluminium	23.5 x 43.5 x 1.5 mm	25330	2 m	2	600 mm
ⓓ square tube, untreated aluminium	35.5 x 68.6 x 2.4 mm	25894	1 m	2	495 mm
ⓔ square U, untreated aluminium	35.5 x 2.4 mm	25414	1 m	1	800 mm
ⓕ thread rod, galvanized steel	M 8	30004	1 m	2	57 mm

combitech® small parts					
Product name	Dimension	Item no.	Total quantity	Quantity	
ⓐ junction plate, aluminium	160 mm	29798	4 bags	4	
ⓑ lamellar plugs round, PE black	11.5 mm	29804	1 bag	4	
ⓒ knurled nut, PVC/brass black	M 8	30164	6 bags	6	
ⓓ adjusting foot, PVC black	M 8	30354	6 bags	6	
ⓔ hexagonal cap nut, self-tapping galvanized steel	M 8	30114	1 bag	4	
ⓕ washer, galvanized steel, DIN 125	M 8	30274	1 bag	4	
ⓖ steel rivets	4 x 10 mm			16	

Notes

Important advice!

Assembly instructions

All parts must be original **alfer®** parts. Damaged parts should not be used. Basic technical knowledge is required for assembly.

In case of technical difficulties, advice can in some circumstances be sought from staff at the hardware store or possibly from **alfer®** itself. If difficulties arise during assembly, an enquiry should always be put to **alfer®** before changing components. Do not deviate from the assembly instructions. Changes to materials or deviations from the assembly instructions can cause safety defects, which in case of damage may well be attributed to such a deviation. In case of damage arising from such deviations, **alfer®** accepts no liability.

Instructions for use

The permitted loading capacity must not be exceeded. Inappropriate use will result in the right to compensation being excluded.

Wutöschingen June 2002

alfer® aluminium Gesellschaft mbH
 Horheim, Industriestraße 7 · D-79793 Wutöschingen
 tel.: +49 (0) 77 46 / 92 01-0 · fax: 92 01-92
 email: info.eng@alfer.com

You can find more ideas on the Internet!

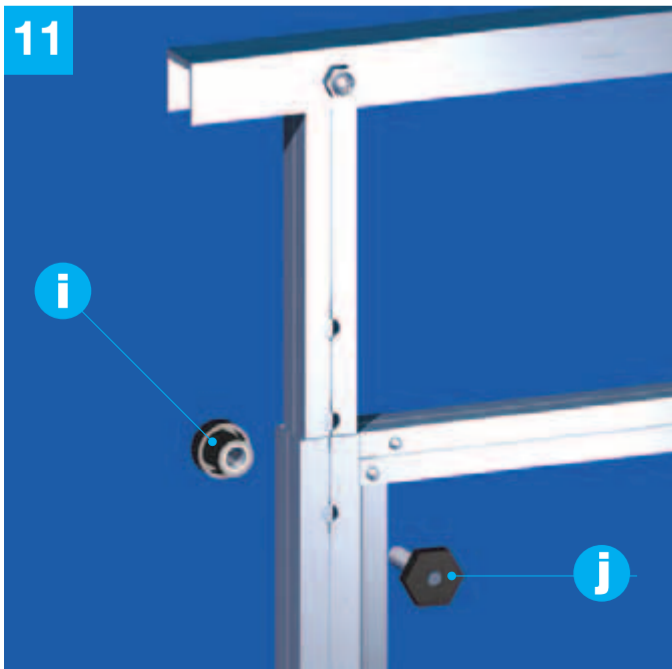
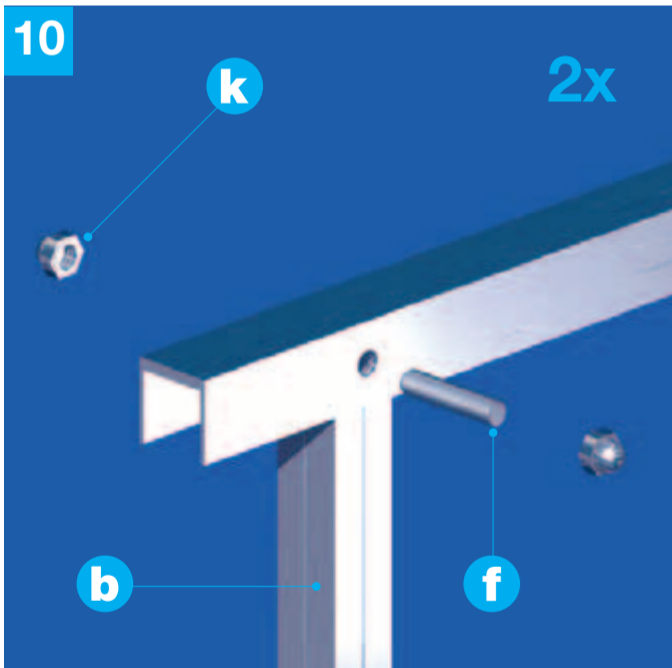
www.alfer.com

alfer®

combitech® construction plan pull-out trestle



English



Important advice!

Technical data:

combitech® pull-out trestle dimensions:
 length 49.5 cm
 width 80.0 cm
 height min. 60.0 cm
 height max. 80.0 cm adjustable in stages
 loading cap. max. 50 kg

All dimensions are reference values. Subject to technical changes.

xxxx very demanding
xxx demanding
xx simple
x easy

1-2 hrs



www.alfer.com

You can find more ideas on the Internet!

email: info.eng@alfer.com
 tel.: +49 (0) 77 46 / 92 01-0 · fax: 92 01-92
alfer® aluminium Gesellschaft mbH
 Horheim, Industriestraße 7 · D-79793 Wutöschingen

024 71708 0807



Your dealer:

